

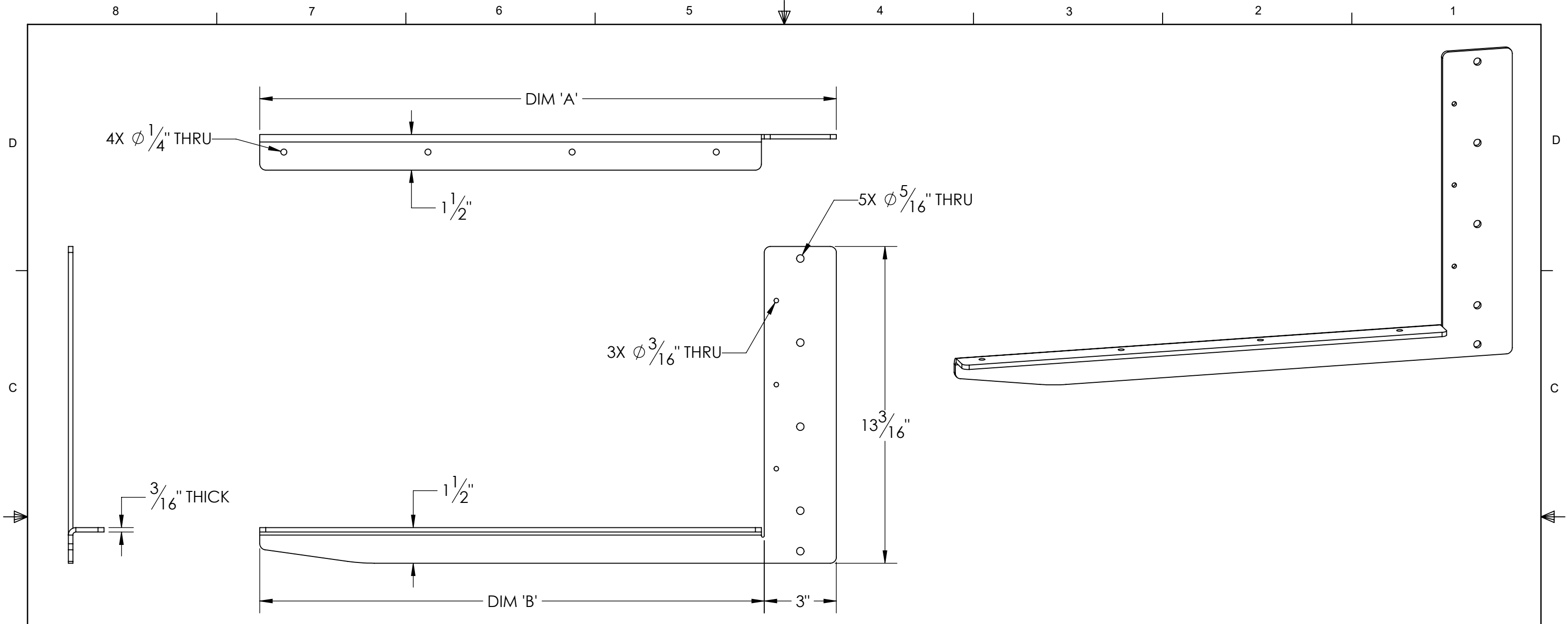
PART NUMBER	DIM 'A' (INCHES)	DIM 'B' (INCHES)
CT-TM-18-LT	18	15
CT-TM-21-LT	21	18
CT-TM-24-LT	24	21
CT-TM-27-LT	27	24
CT-TM-30-LT	30	27

MODERN STEEL

MANUFACTURING

MODERNSTEELMFG.COM

CT-TM	
COUNTERTOP, TOP MOUNT LEFTHAND	
MATERIAL 3/16" MILD STEEL	FINISH CLEAR ZINC



PART NUMBER	DIM 'A' (INCHES)	DIM 'B' (INCHES)
CT-TM-18-RT	18	15
CT-TM-21-RT	21	18
CT-TM-24-RT	24	21
CT-TM-27-RT	27	24
CT-TM-30-RT	30	27

MODERN STEEL

MANUFACTURING

MODERNSTEELMFG.COM

CT-TM	
COUNTERTOP, TOP MOUNT RIGHTHAND	
MATERIAL 3/16" MILD STEEL	FINISH CLEAR ZINC