

ARCHITECTURAL SECTION DETAILS

INCLUDED ARE SECTION DETAILS SHOWING THE INTENDED USE FOR MODERN STEEL'S BRACKETS AND HOW THEY CAN BE IMPLEMENTED INTO PROJECTS

MODERN STEEL
MANUFACTURING USA
FLOATING COUNTERTOP APPLICATION

PART NUMBER

CT-BM-24-LT/RT

DATE

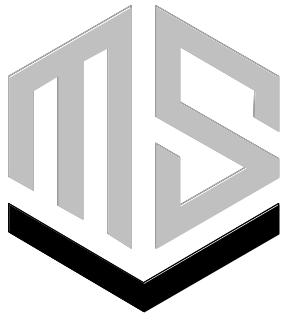
06/02/22

DRAWN BY

JDW

SHEET

1 OF 6



MODERN STEEL
MANUFACTURING USA
ARCHITECTURAL SECTION DETAILS

PART NUMBER

CT-BM-24-LT/RT

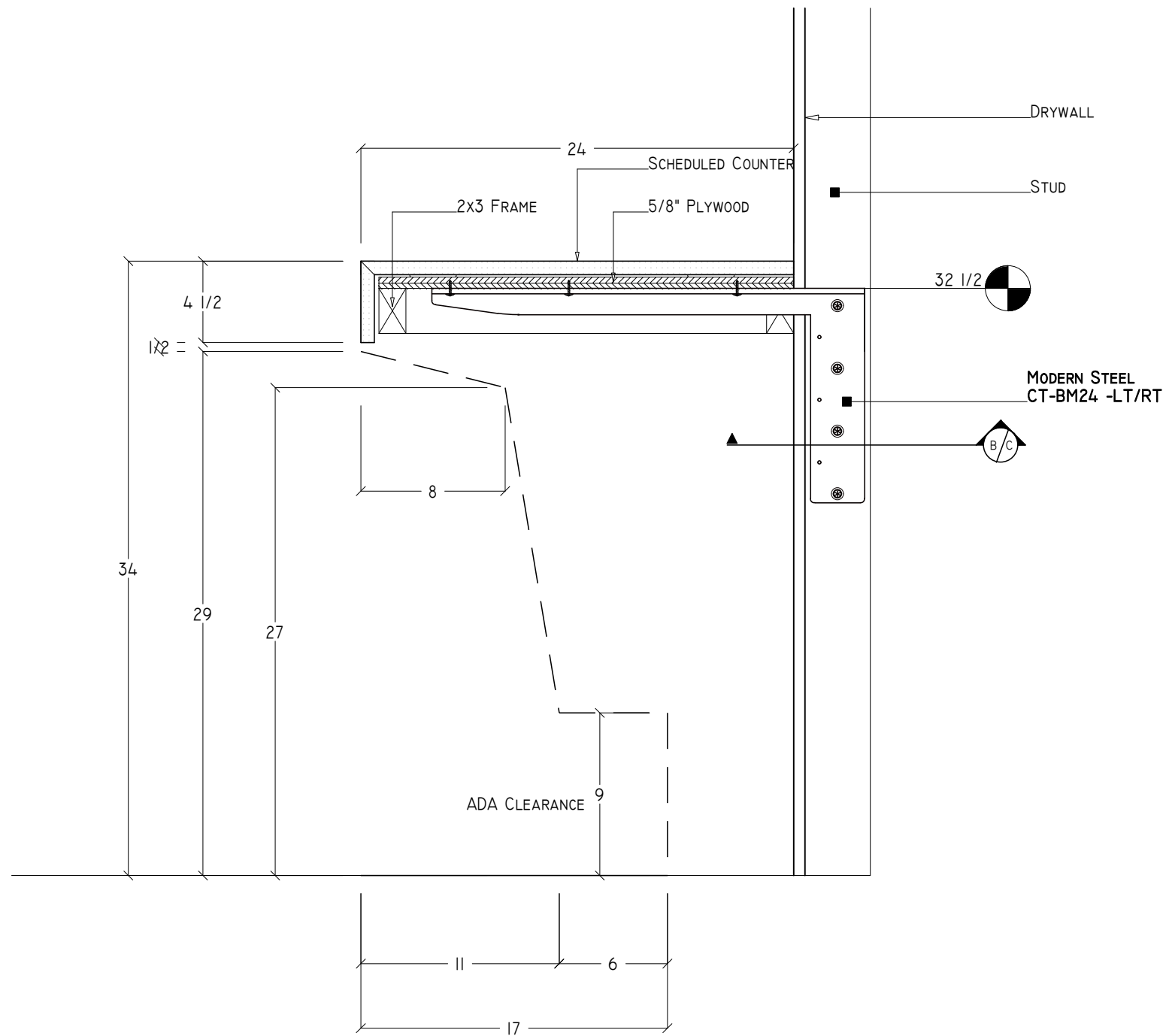
DATE

06/02/22

DRAWN BY

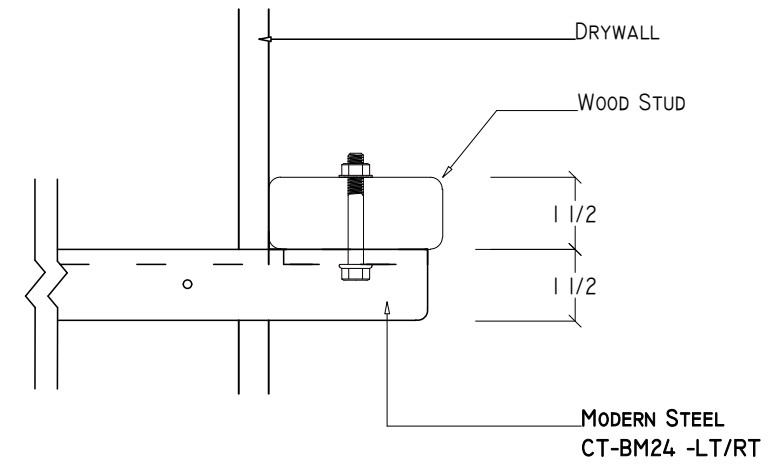
JDW

SHEET

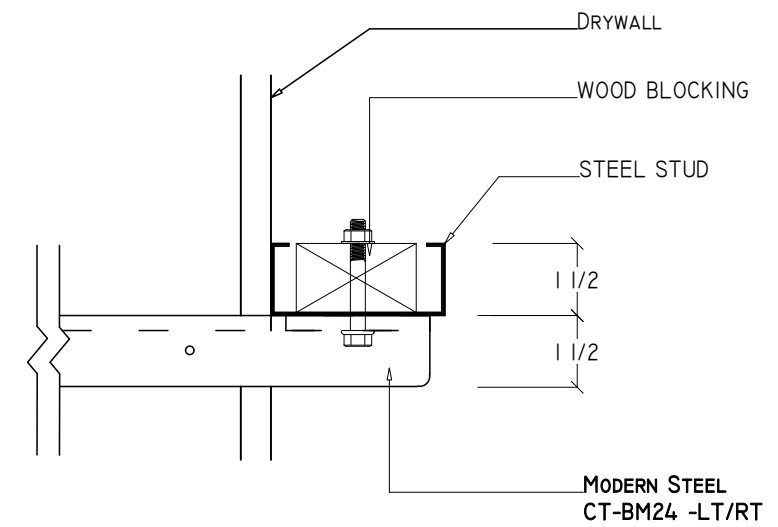


A FLOATING RESTROOM COUNTERTOP

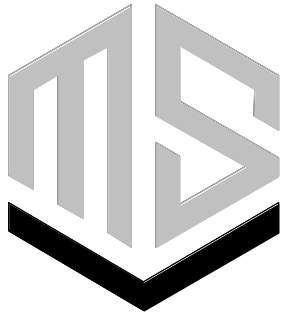
SCALE 1 1/2"=1'



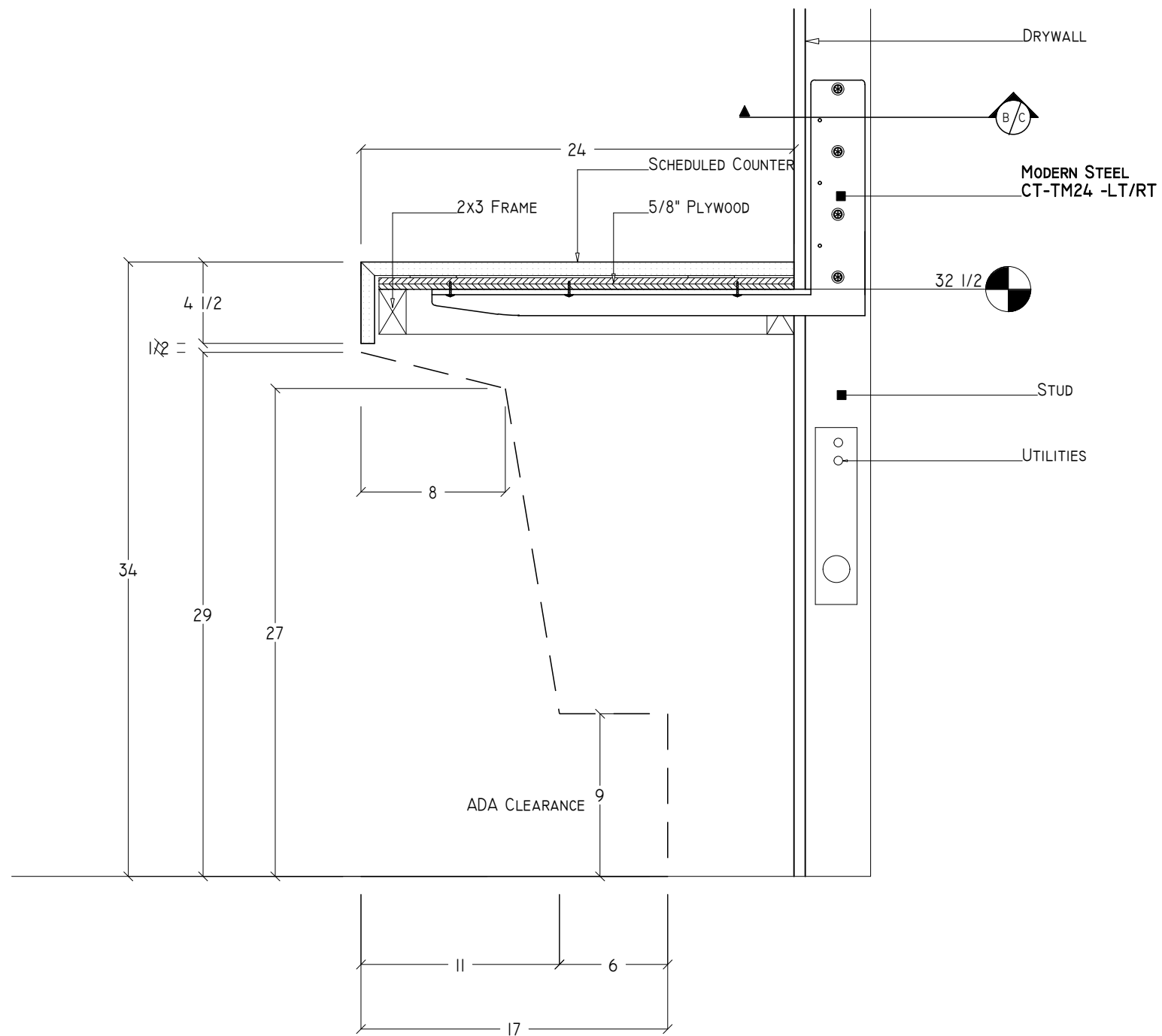
B PLAN VIEW W/ WOOD STUD



C PLAN VIEW W/ STEEL STUD

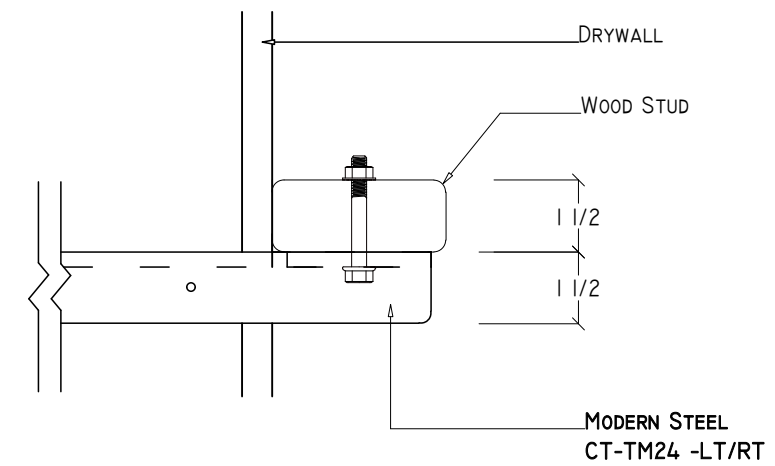


MODERN STEEL
 MANUFACTURING USA
 ARCHITECTURAL SECTION DETAILS

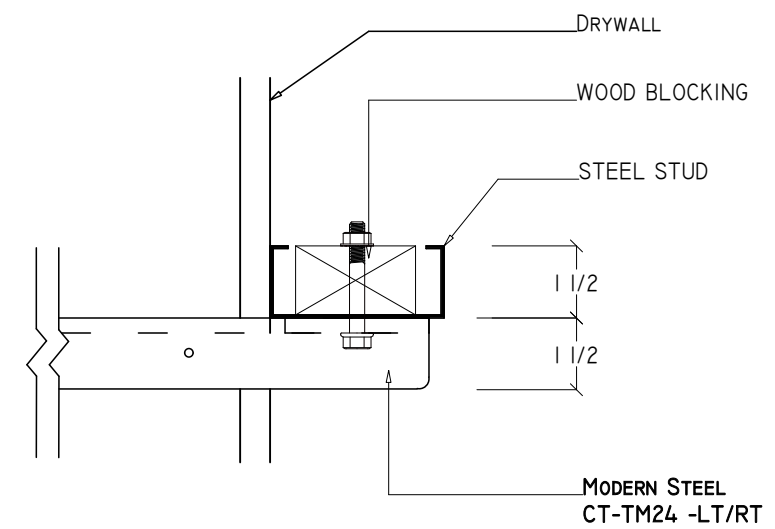


A RESTROOM VANITY / UTILITY INTERFERENCE

SCALE 1 1/2" = 1'



B PLAN VIEW W/ WOOD STUD



C PLAN VIEW W/ STEEL STUD

PART NUMBER

CT-BM-24-LT/RT

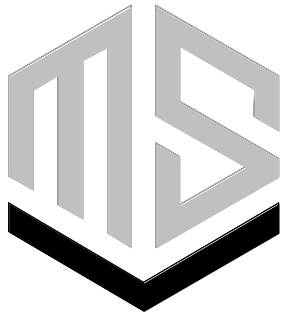
DATE

06/02/22

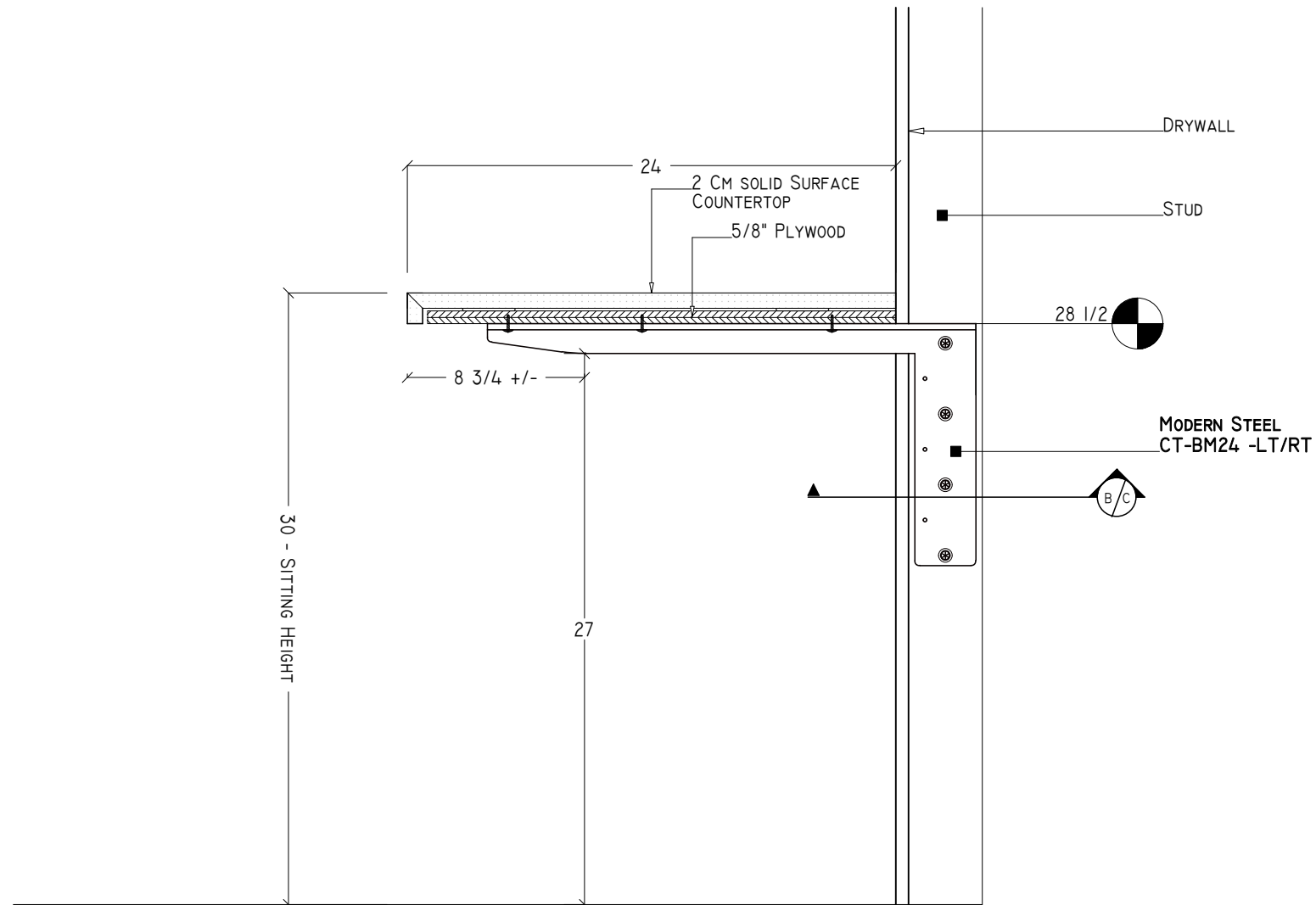
DRAWN BY

JDW

SHEET

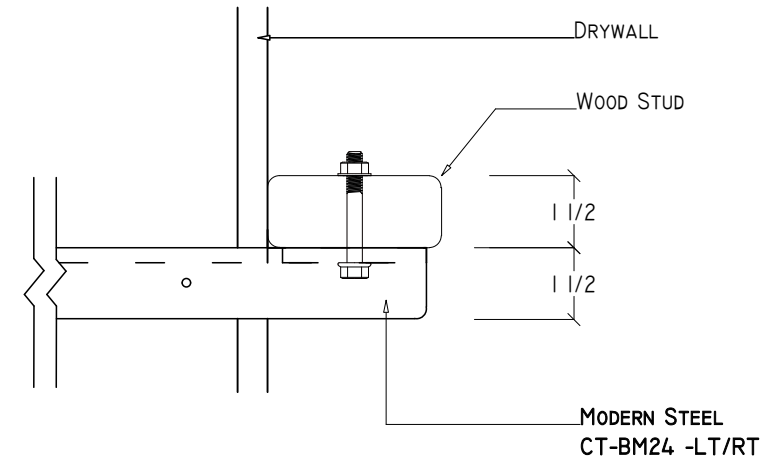


MODERN STEEL
MANUFACTURING USA
ARCHITECTURAL SECTION DETAILS

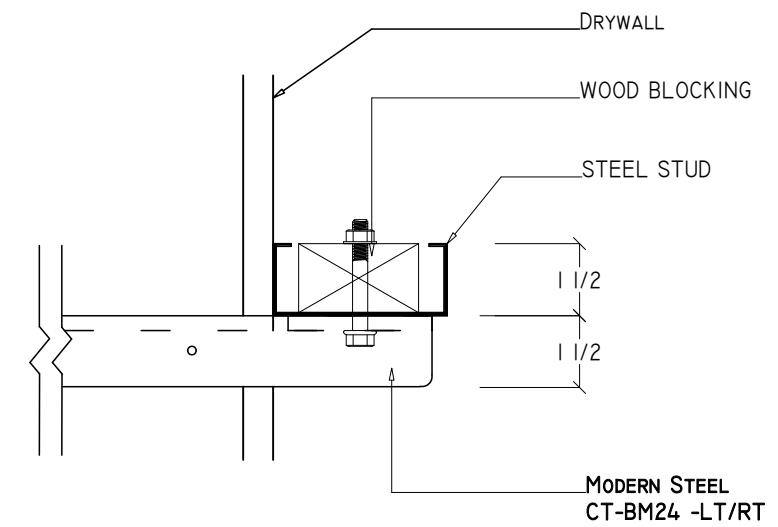


A FLOATING COUNTERTOP APPLICATION_STONE TOP

SCALE 1 1/2"=1'



B PLAN VIEW W/ WOOD STUD



C PLAN VIEW W/ STEEL STUD

PART NUMBER

CT-BM-24-LT/RT

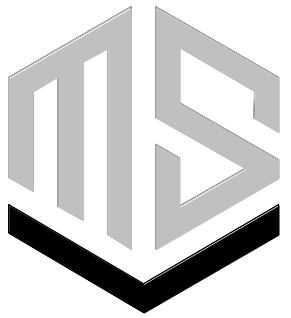
DATE

06/02/22

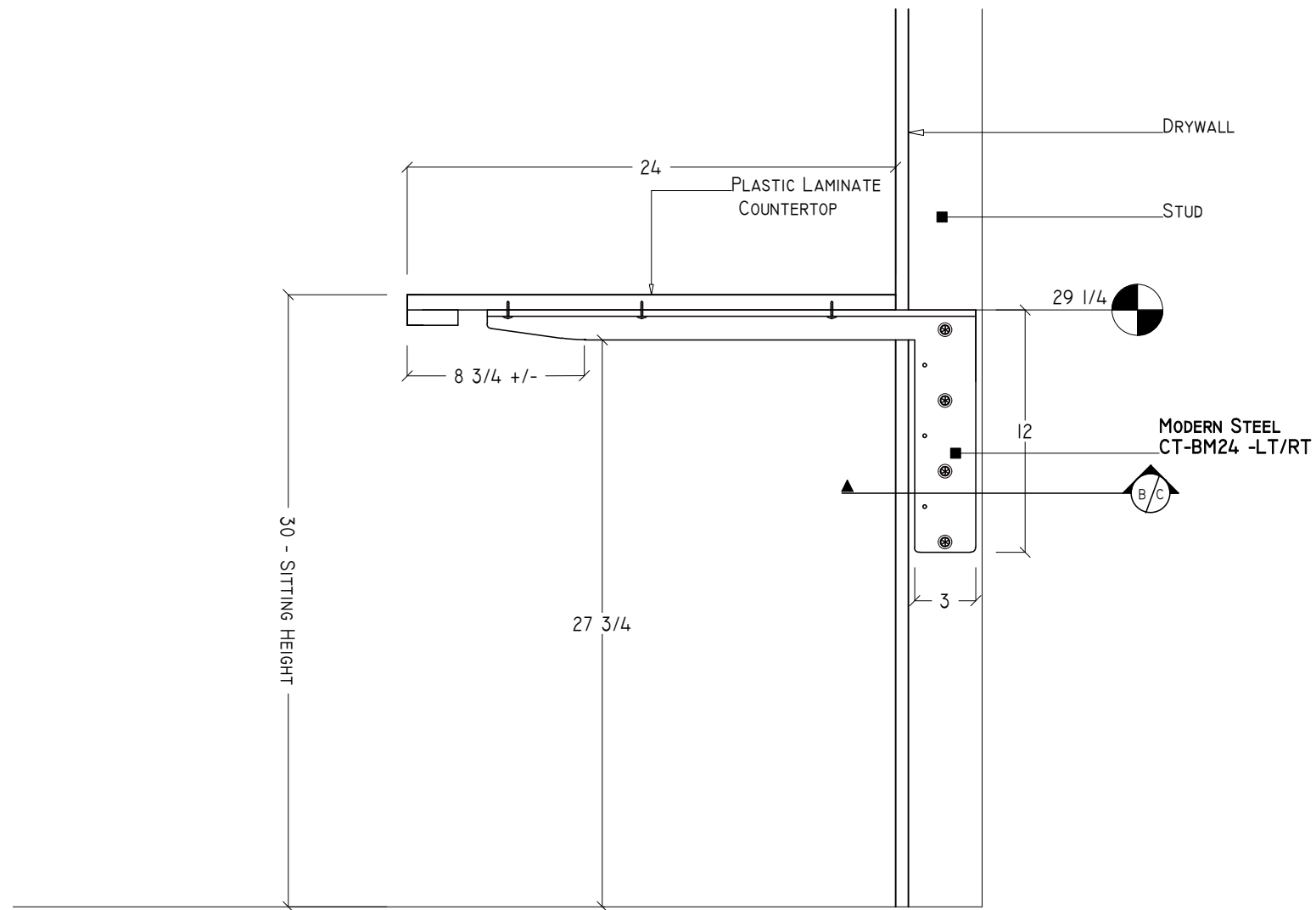
DRAWN BY

JDW

SHEET

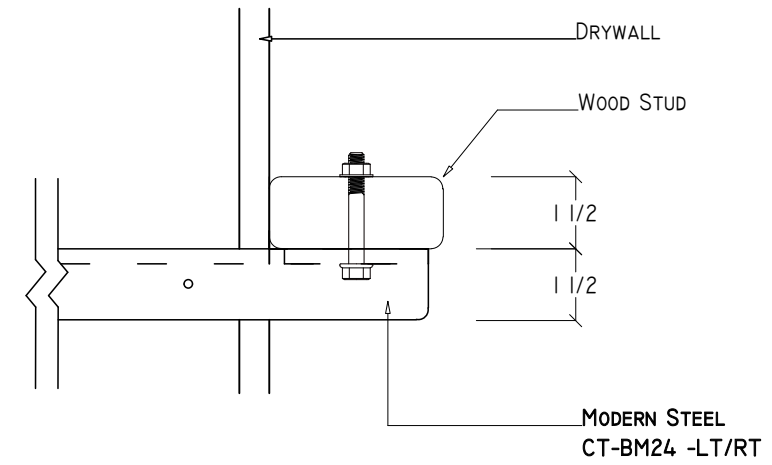


MODERN STEEL
MANUFACTURING USA
ARCHITECTURAL SECTION DETAILS

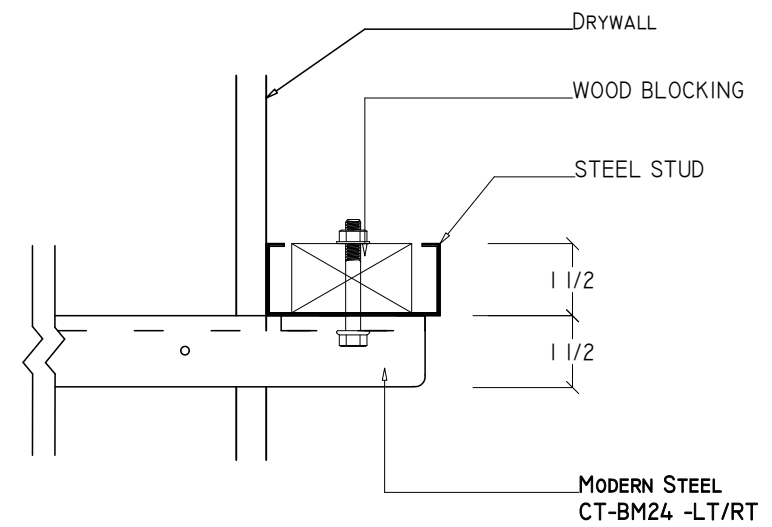


A FLOATING COUNTERTOP APPLICATION_PL TOP

SCALE 1 1/2"=1'



B PLAN VIEW W/ WOOD STUD



C PLAN VIEW W/ STEEL STUD

PART NUMBER

CT-BM-24-LT/RT

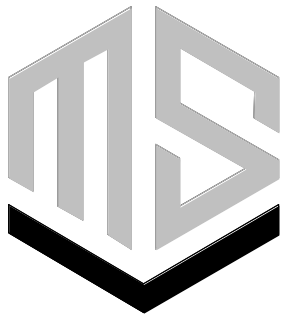
DATE

06/02/22

DRAWN BY

JDW

SHEET



MODERN STEEL
 MANUFACTURING USA
 ARCHITECTURAL SECTION DETAILS

PART NUMBER

CT-BM-24-LT/RT

DATE

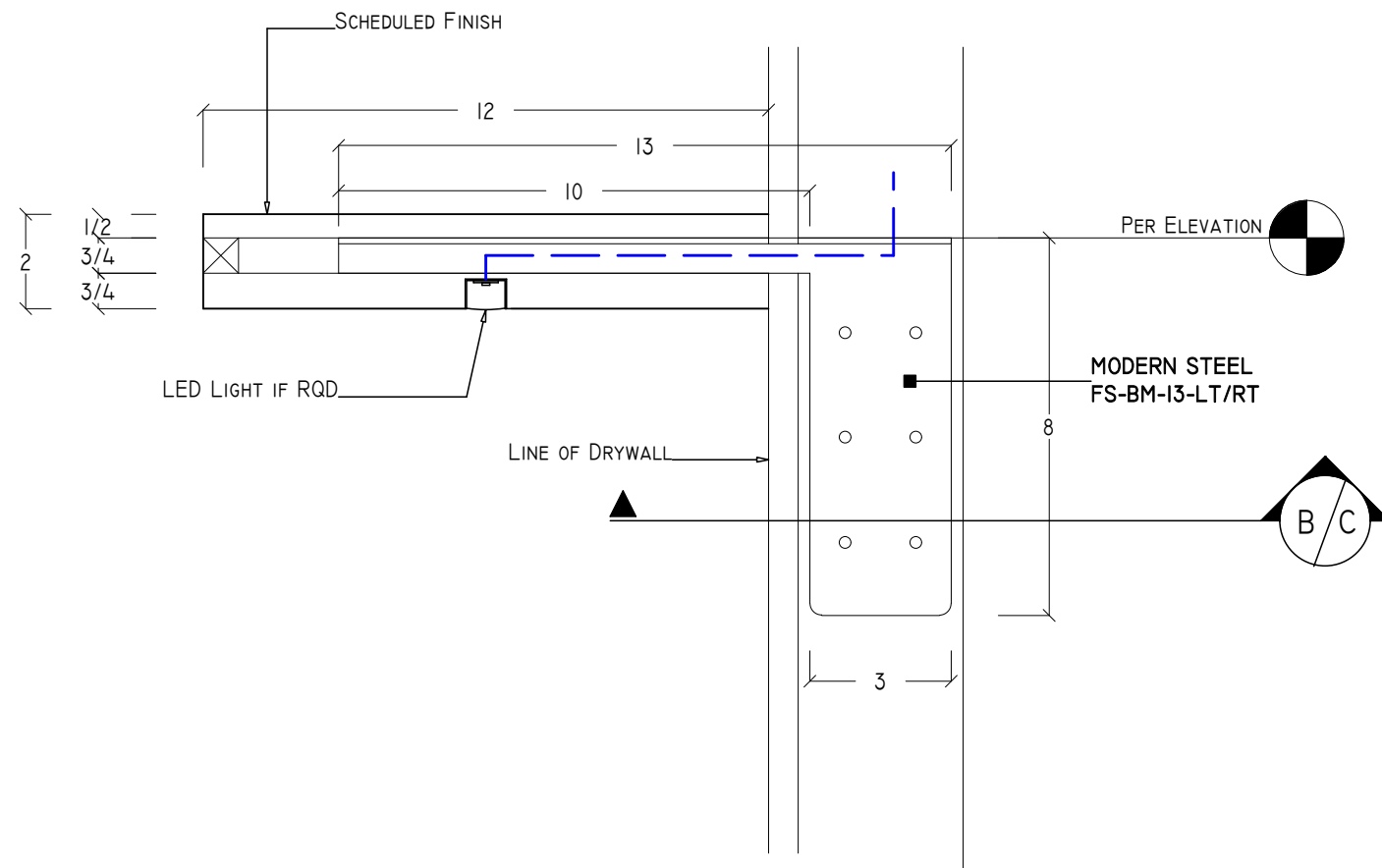
06/02/22

DRAWN BY

JDW

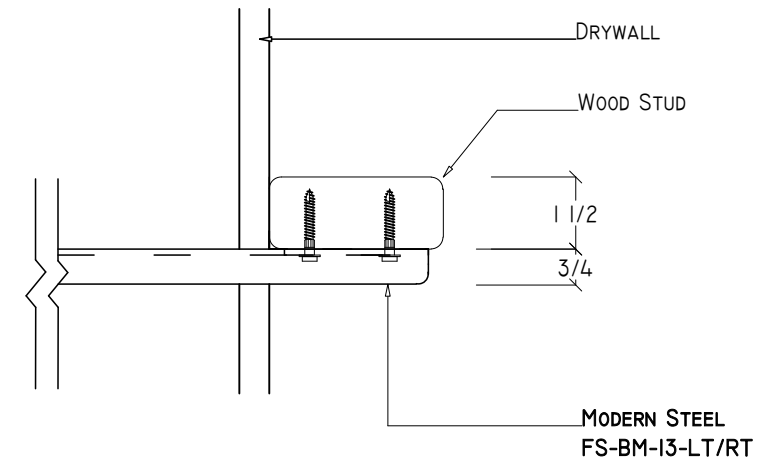
SHEET

6 OF 6

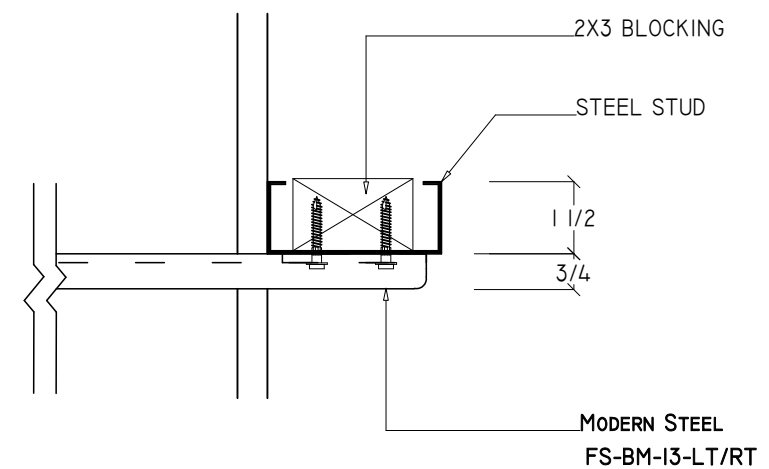


A FLOATING SHELF SECTION

SCALE 1:4



B PLAN VIEW W/ WOOD STUD



C PLAN VIEW W/ STEEL STUD